

Checking which resources contribute to which processes on large maps can get tedious. The eVSM Category Filter allows provides a simple way of highlighting processes of interest.

This function requires eVSM v11.36 or later and works with all eVSM stencils.

Below are the steps to setting up and running the Category filter, followed by an example.

A. Compile a list of the Categories involved in your value stream.

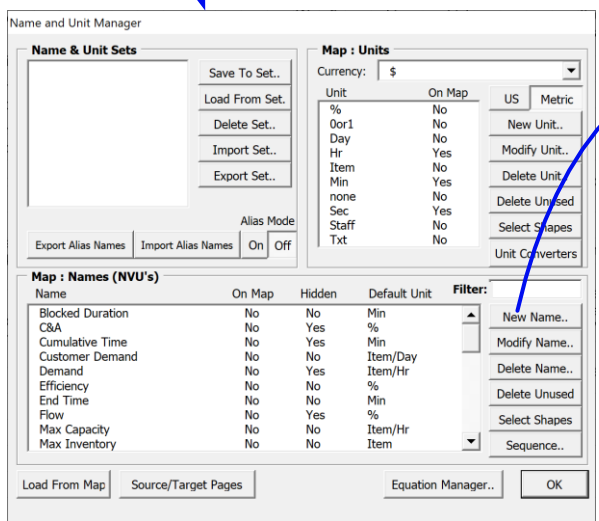
Example:

- | | | |
|------------------------|---|------|
| Research & Development | - | R&D |
| Engineering | - | ENGR |
| Finance | - | FIN |
| Procurement | - | PROC |
| Planning & Scheduling | - | PLAN |
| Laboratory | - | LAB |
| Production | - | PROD |
| Packaging | - | PACK |
| Shipping | - | SHIP |

Make up a short unique abbreviation or acronym for each Category

B. Declare each Category name as a variable name in the NUM

XYZ NUM

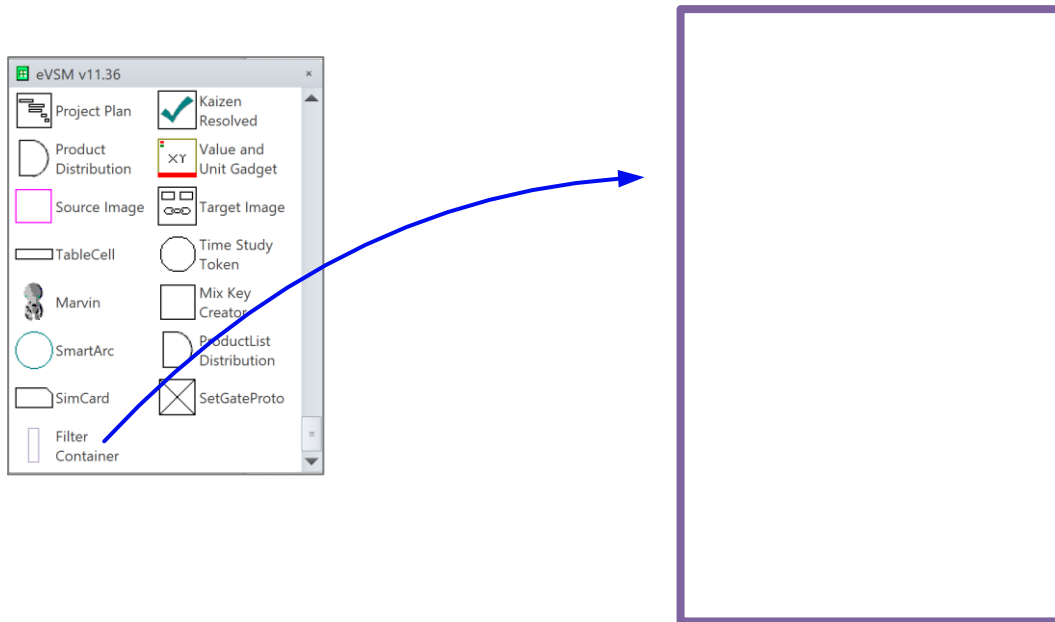


Enter Category name

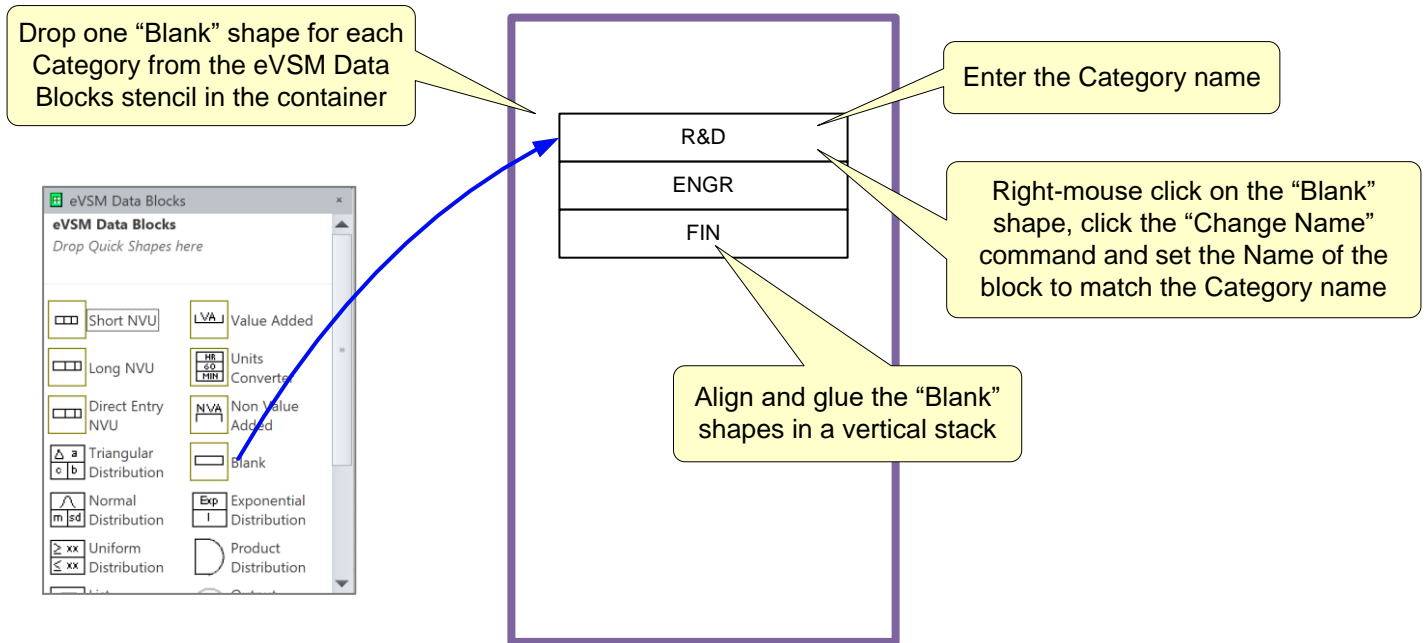
Set the denominator unit to "None"

Set the numerator unit to "Txt"

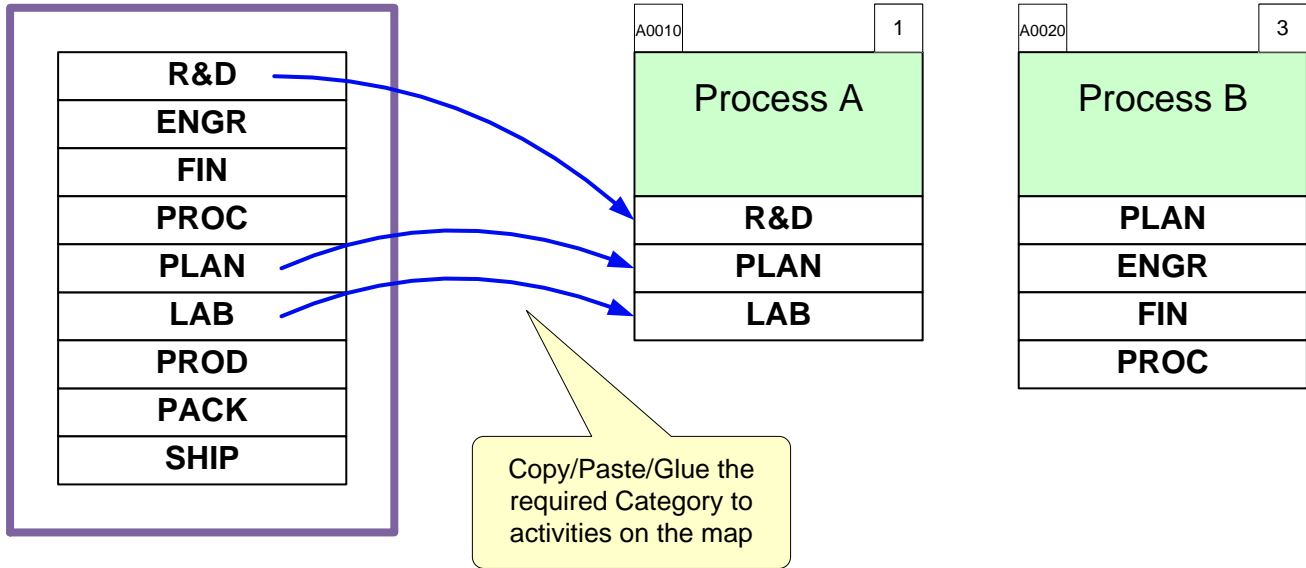
C. Drag out the Filter Container box from the eVSM main stencil



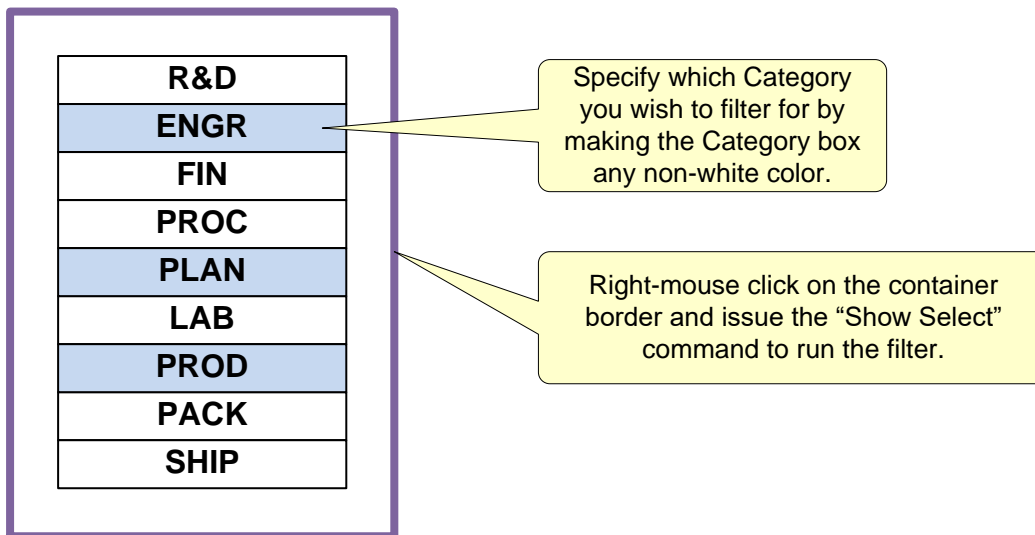
D. Create the Filter Key



E. Use copies of the Blank shapes from the key container where needed on the map

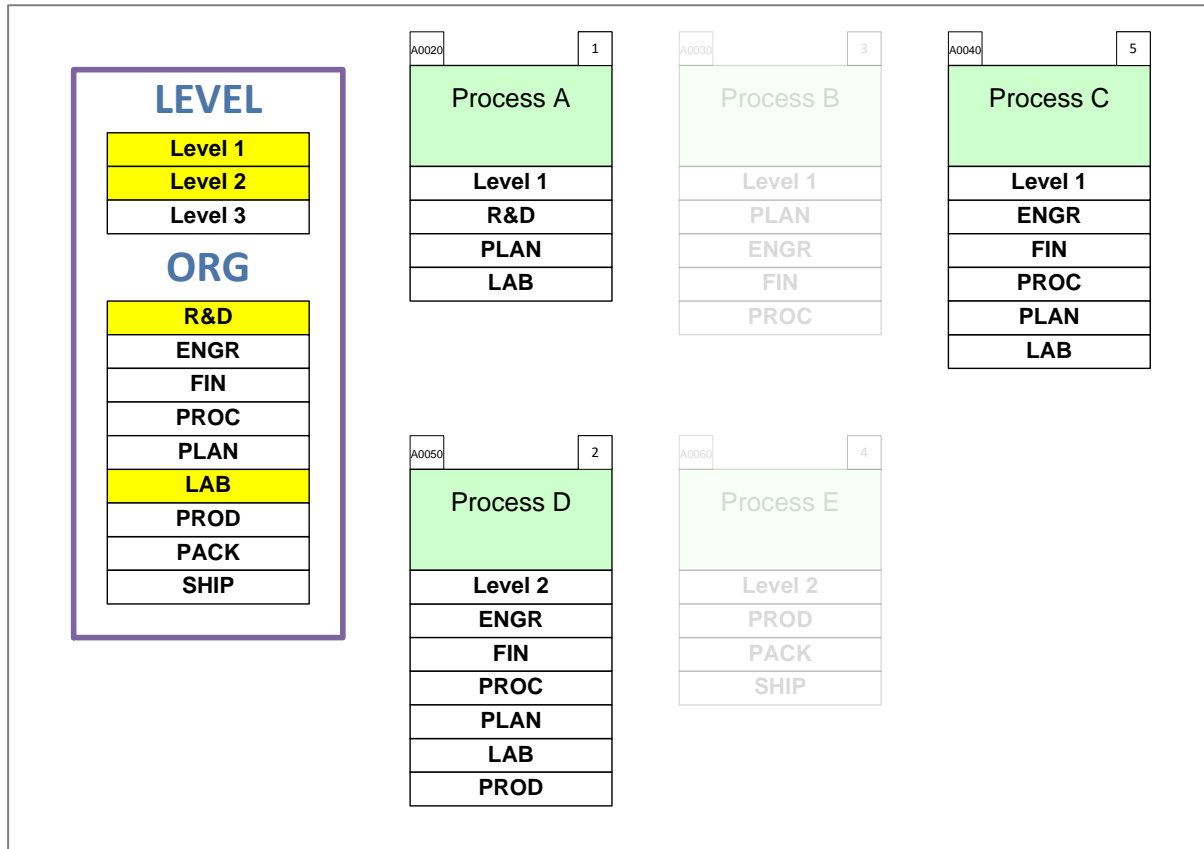


F. Run the Filter



F. Example

In this example you can see the processes associated with the yellow Categories, while the rest of the Categories are partly hidden from the view. The transparency level of the hidden shapes can be adjusted in the Settings dialog box.



Note how there are two groups of data blocks in the container. Data blocks glued to each other follow the “OR” logic, while the groups follow the “AND” logic.

So, it is showing processes associated with:

Level 1 [OR] Level 2 [AND] R&D [OR] LAB